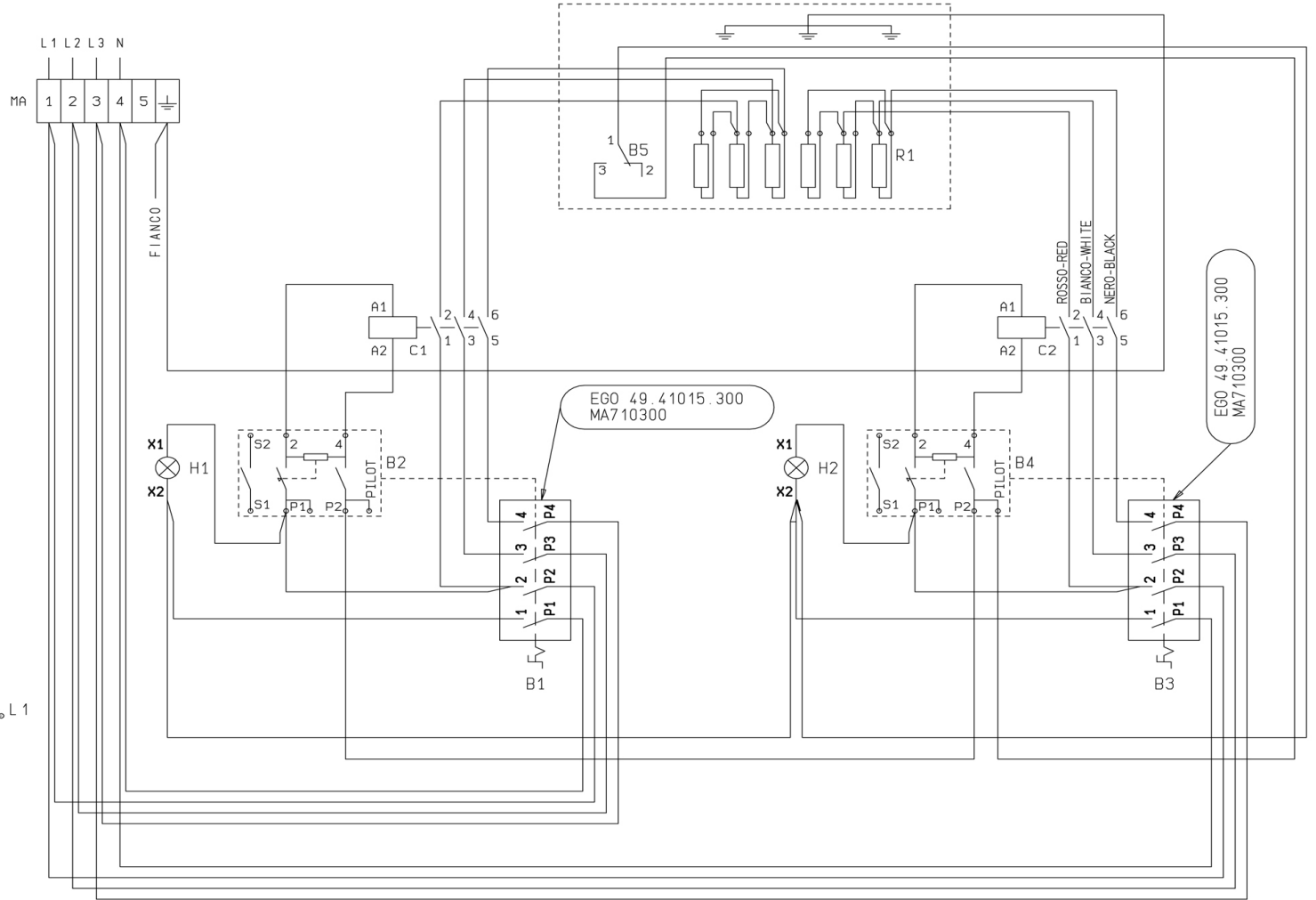
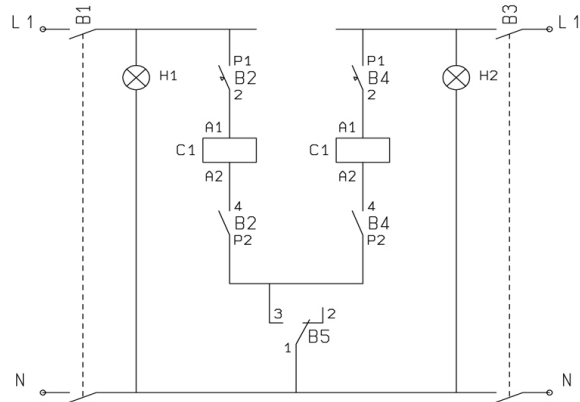


Mod	CW68E 6NCW/E800 OCW68E ECW64T NGW78E
P(KW)	8.16
I(A)	12.1
U(V)	400V3N~
f(Hz)	50/60
Supply Cable	5G1.5mm <sup>2</sup>



B1-B3	COMMUTATORE	COMMUTEUR	CHANGE-OVER SWITCH	UMSCHALTER
B2-B4	REGOLATORE ENERGIA	REGOLATORE ENERGIE	ENERGY CONTROL	SIMMERSTAT
B5	MICROINTERRUTTORE	MICRO-INTERRUPTEUR	MICROSWITCH	MICROSCHALTER
C1-C2	CONTATTORE	CONTACTEUR	CONTACTOR	KONTAKTSCHALTER
H1-H2	SPIA ARANCIO	LAMPE ORANGE	ORANGE PILOTLIGHT	ORANGE LAMPE
MA	MORSETTIERA ARRIVO LINEA	BORNES ARRIVEE LIGNE	TERMINAL BLOCK	ANSCHLUSSKLEMME
R1	RESISTENZA	RESISTANCE	HEATING ELEMENT	HEIZKORPER