

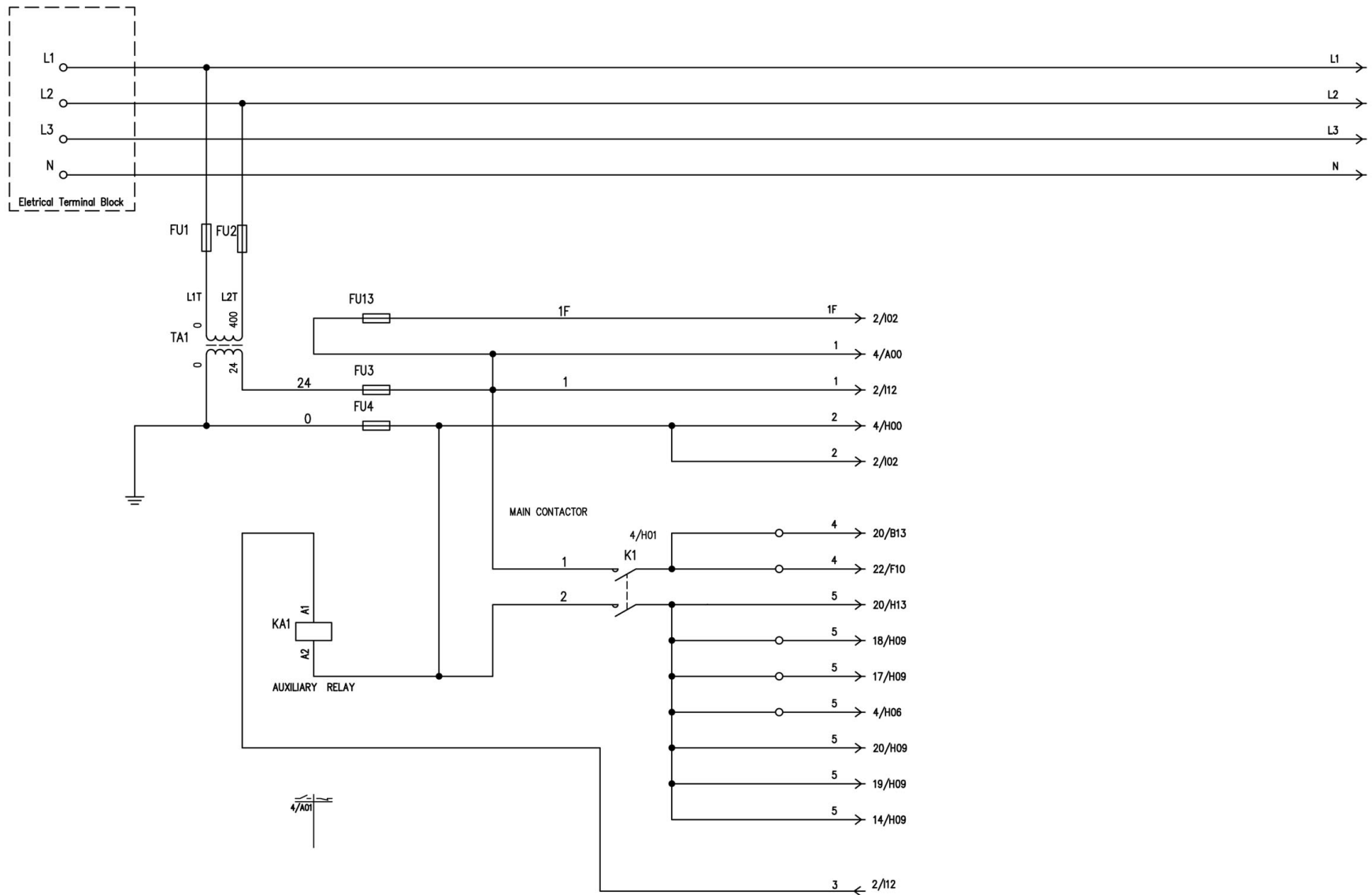
* OPTIONAL

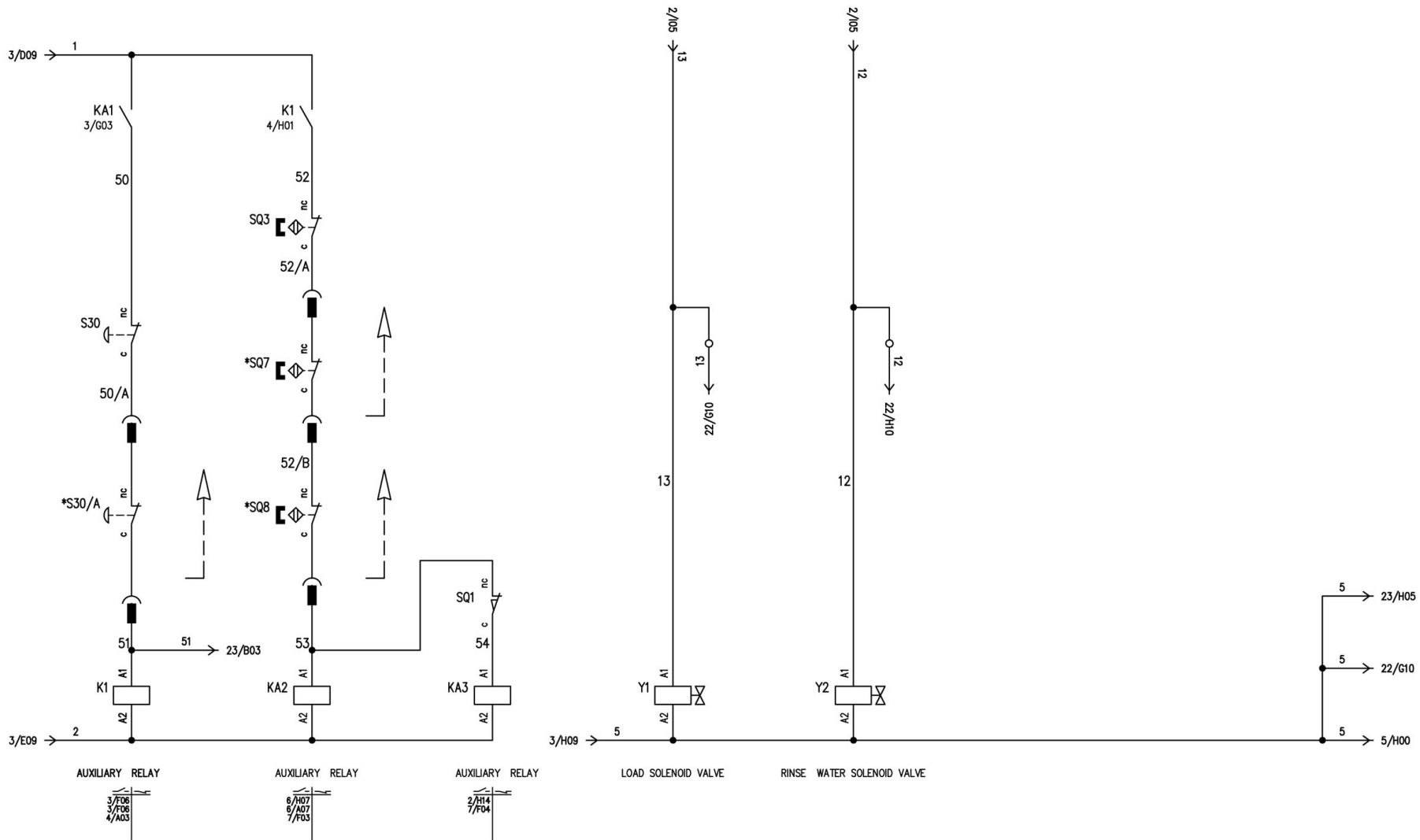
AUXILIARY RELAY



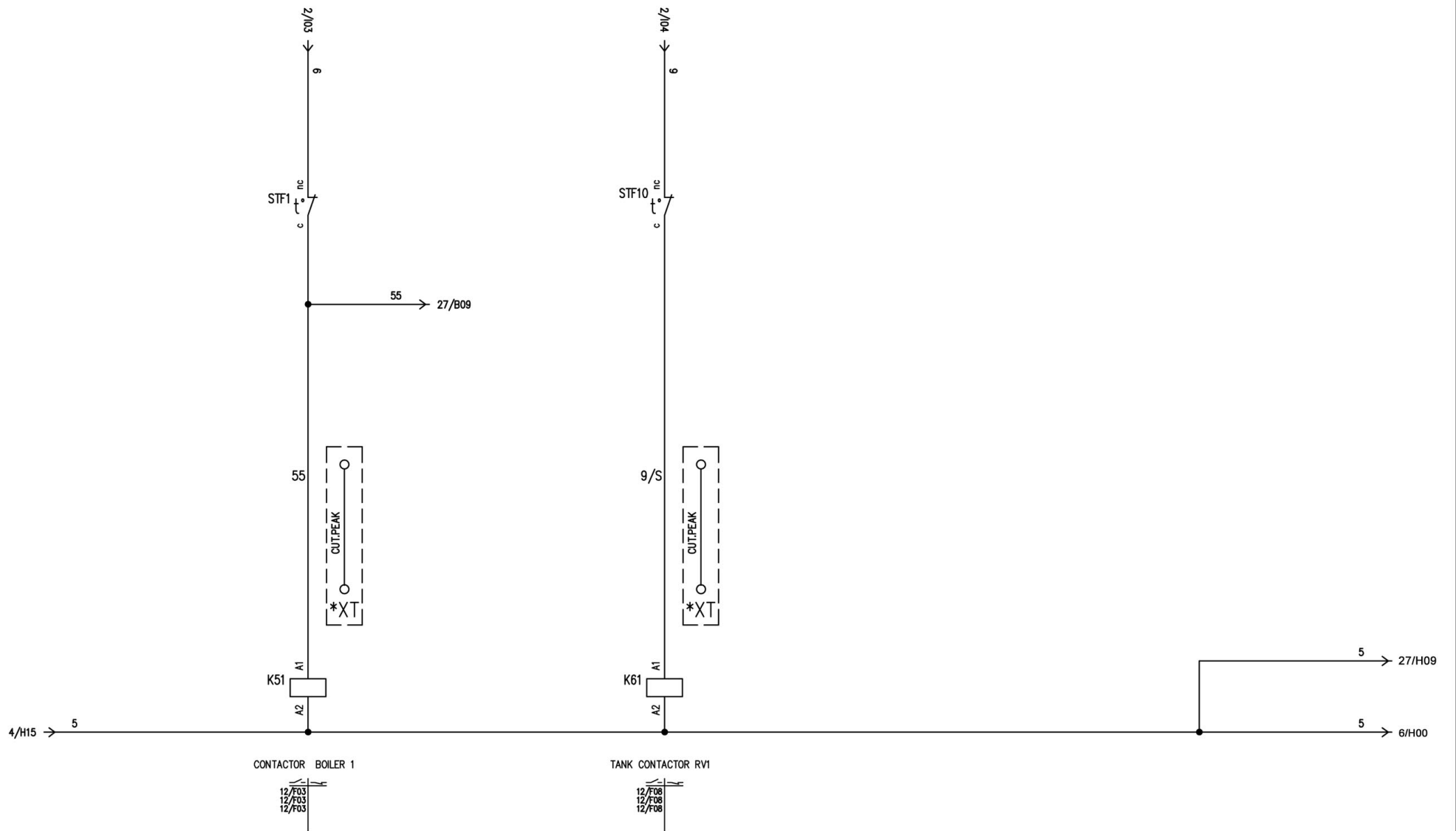
Spülmaschine EVO RX104E
 Artikel-Nr.: 110620

Schaltplan
 09.01.2020

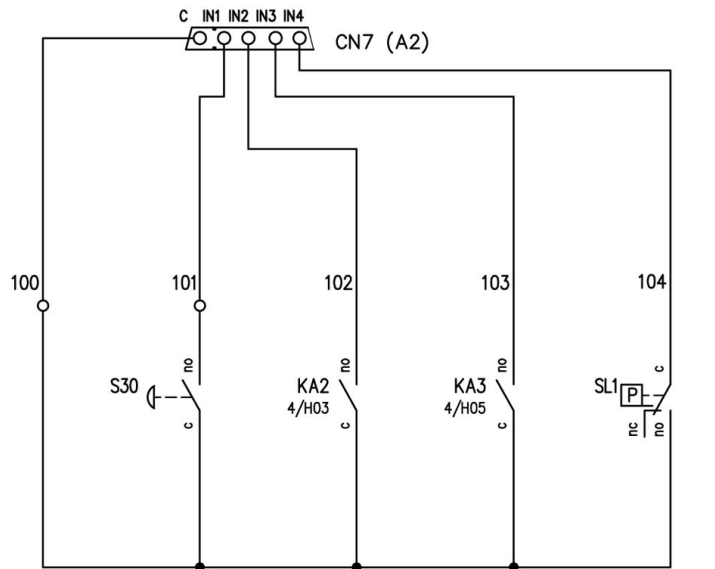




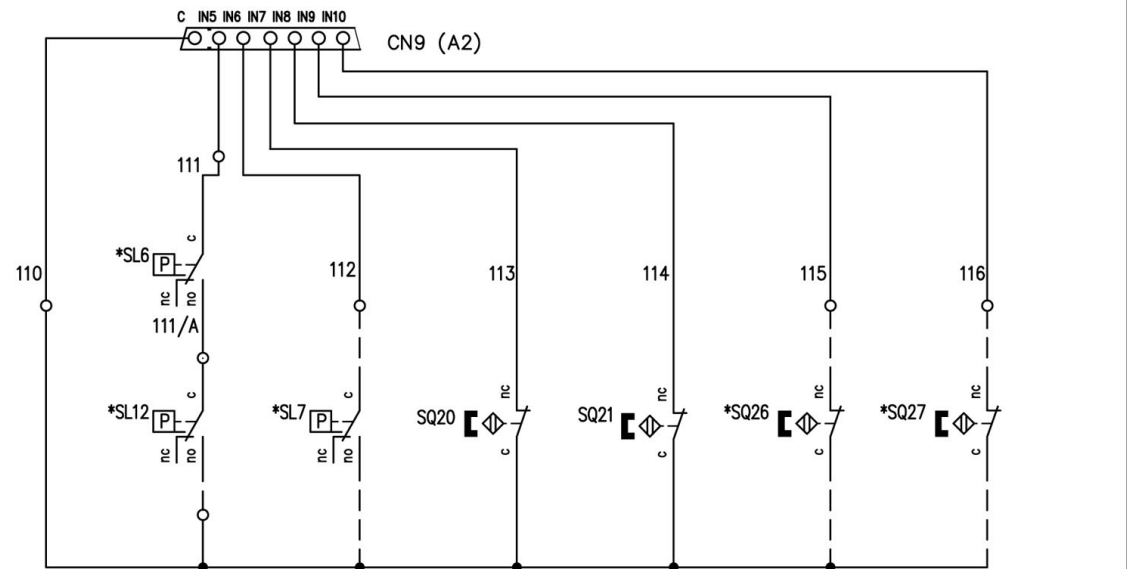
* OPTIONAL



* OPTIONAL

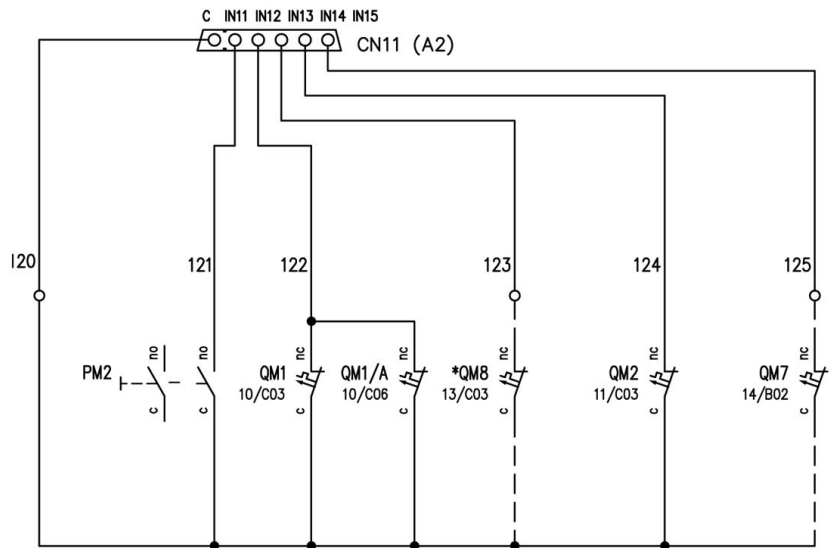


GENERAL EMERGENCY BUTTON AUXILIARY RELAY
 AUXILIARY RELAY LEVEL TANK SENSOR 1

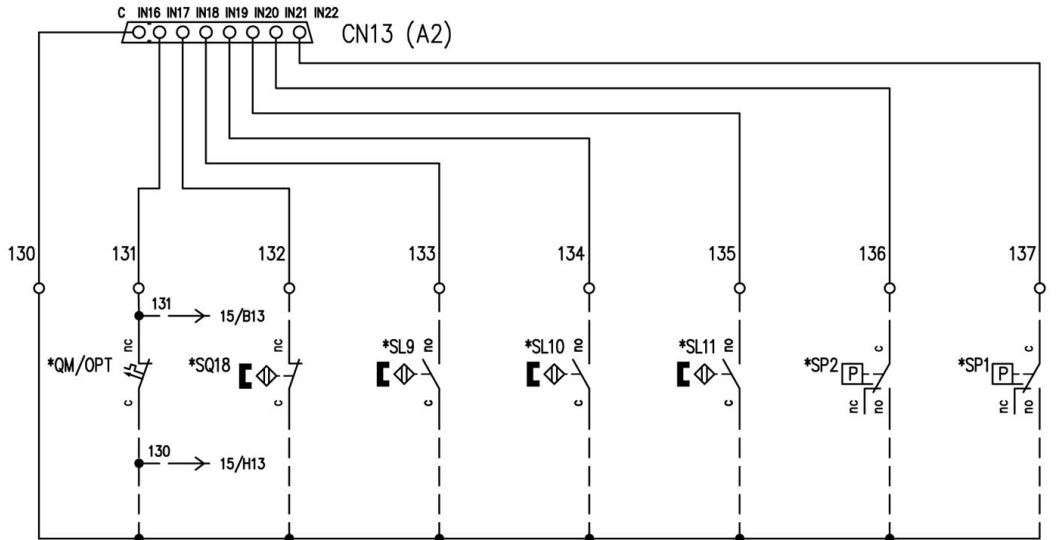


LEVEL TANK PREWASH LEVEL PRERINSE TANK SENSOR ECONOMIZER WASH TANK 1 AUTOMATIC SHOWER ECONOMIZER
 LEVEL TANK AUTOMATIC SHOWER RINSE ECONOMIZER PREWASHING TANK ECONOMIZER

* OPTIONAL

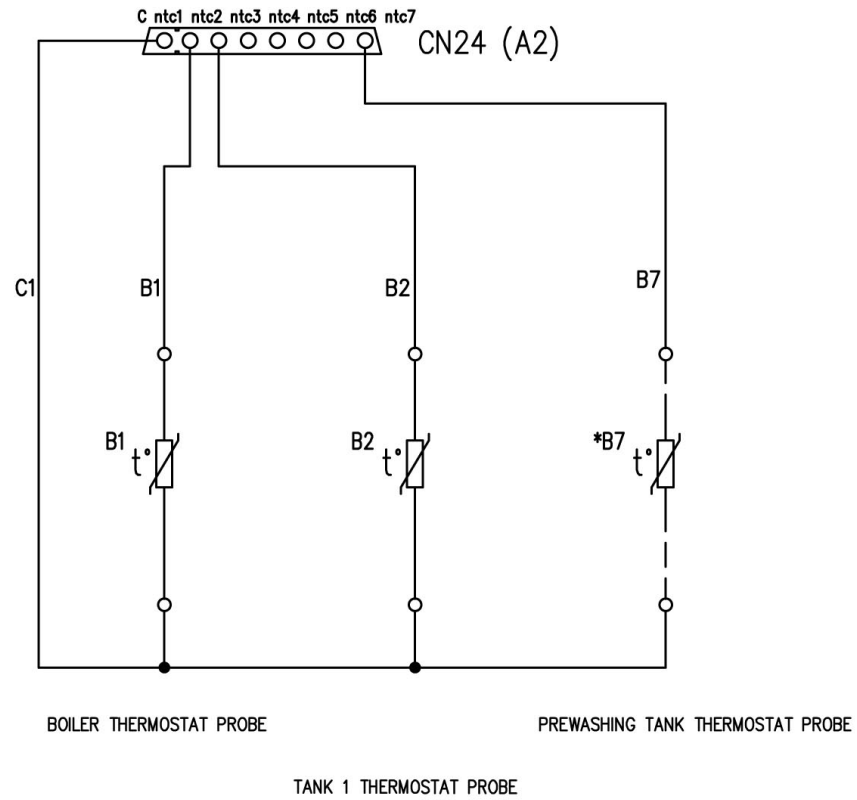


MANUAL BOILER LOADING
 FIRST SPEED THERMAL CONVEYOR MOTOR
 SECOND SPEED THERMAL CONVEYOR MOTOR
 OVERLOAD PROTECTION PRERINSE PUMP
 OVERLOAD PROTECTION PUMP 1
 OVERLOAD PROTECTION PUMP PREWASHING

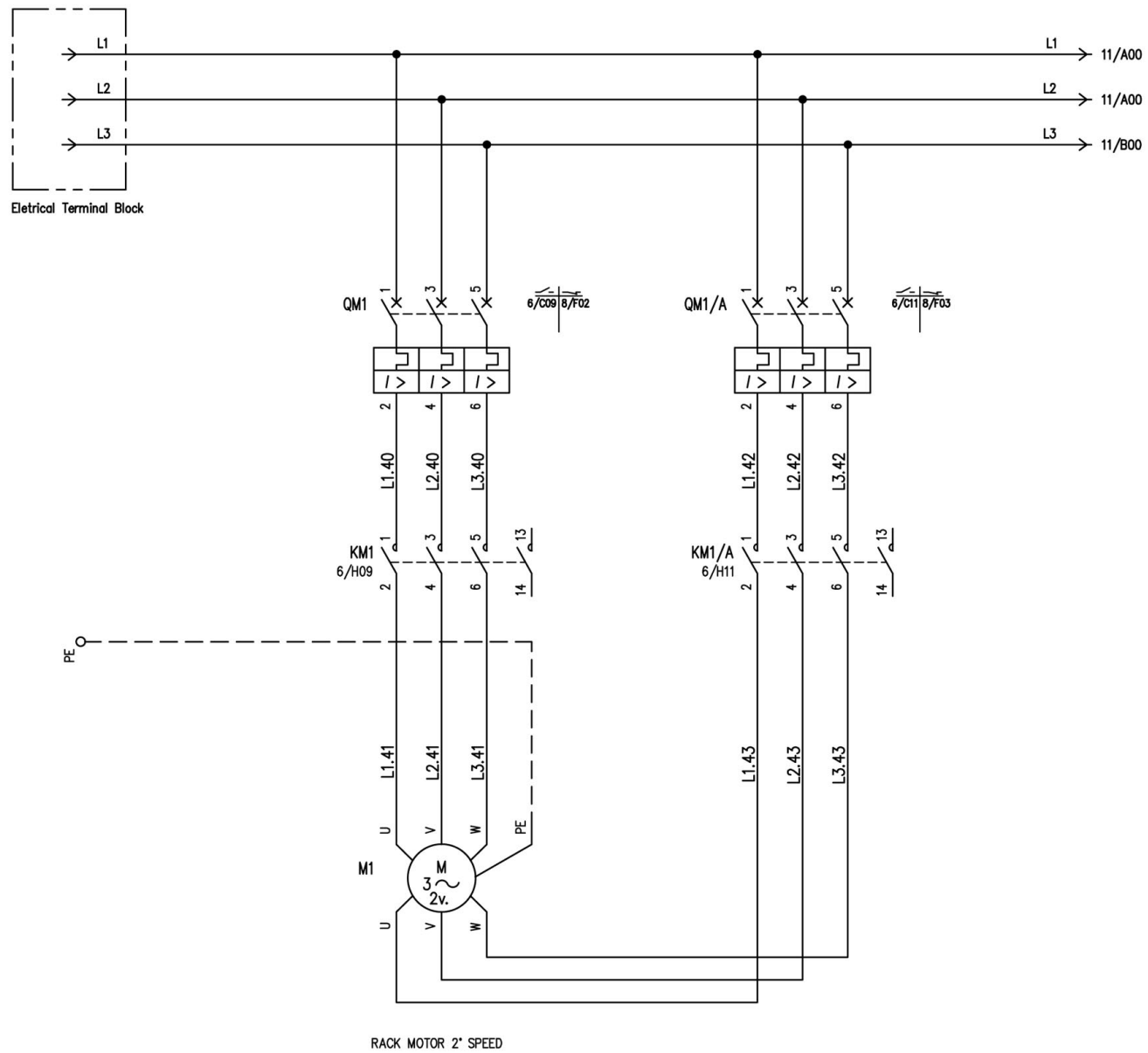


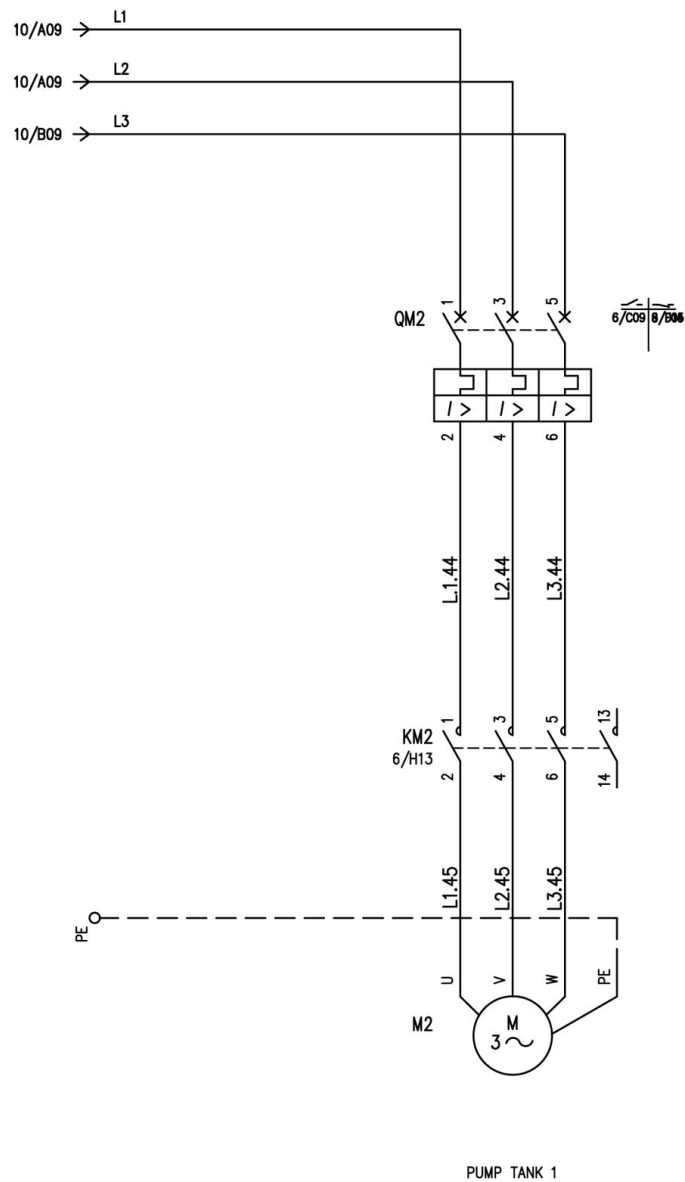
MAGNETIC THERMAL OPT MODULE
 LIMIT SWITCH DRAWER
 LEVEL DETERGENT SENSOR
 LEVEL RINSE SENSOR
 SANITIZER LEVEL SENSOR
 NETWORK PRESSURE SENSOR
 SANITIZER PRESSURE SENSOR

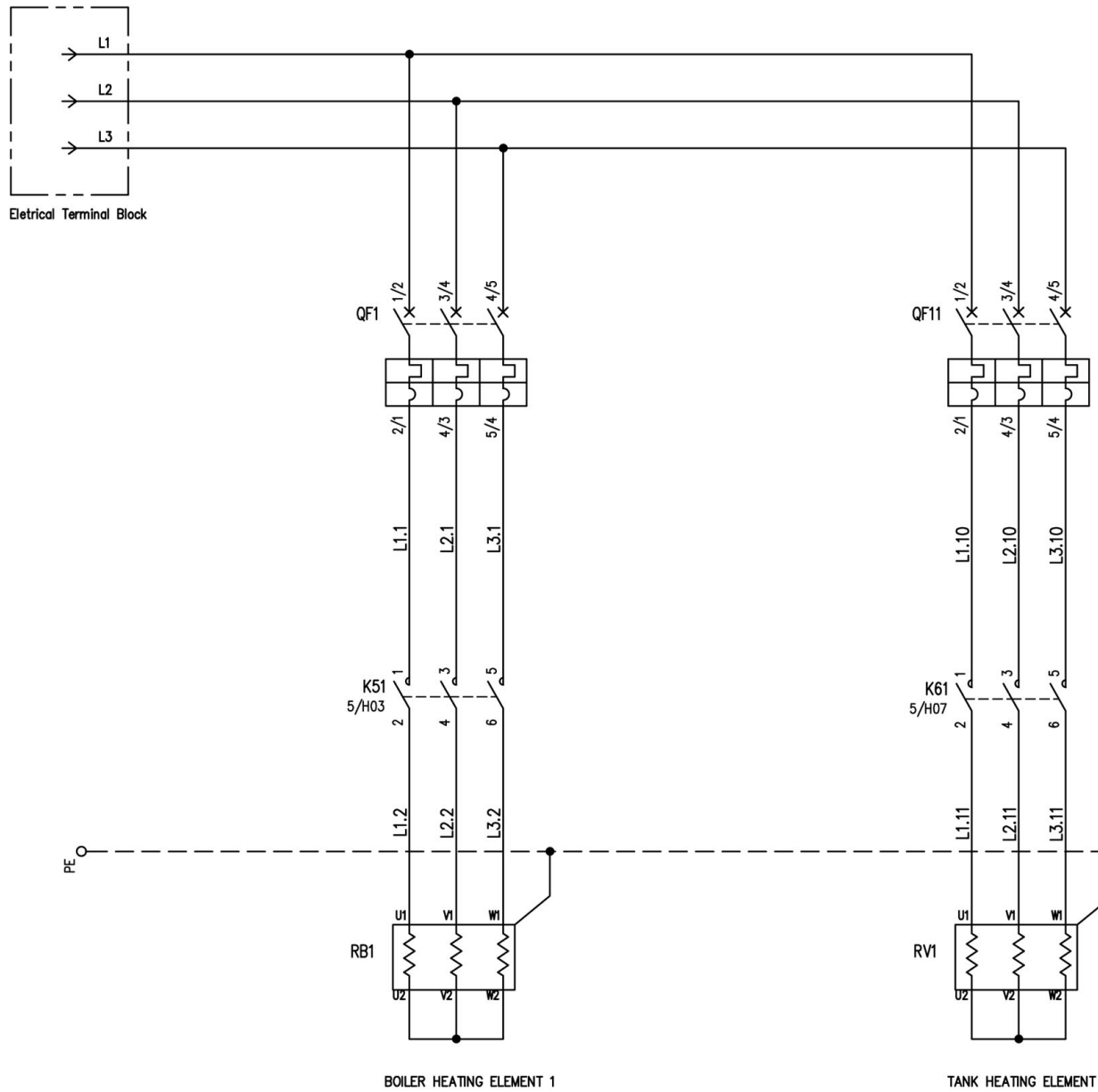
* OPTIONAL









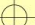


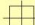

* OPTIONAL







SIGLA	DESCRIZIONE	DESCRIPTION	DESCRIPTION	DESCRIPTION
F1	FILTRO	FILTER	FILTRE	FILTER
EL5	ELETTROVALVOLA RECUPERATORE	ENERGI RECOVERY SOLEN. VALVE	ELECTRO SOUPAPE POUR RECUPERATEUR	ELEKTROVENTIL FÜR WARMEGEWINNUNG
BT	BREAK TANK	BREAK TANK	BREAK TANK	BREAK TANK
RP1	REGOLATORE DI PRESSIONE	PRESSURE REGULATOR	REGULATEUR DE PRESSION	DRUCKREGEL
EL1 / Y1	ELETTROVALVOLA CARICO A CALDO	HOT WATER SOLENOID VALVE	ELECTRO SOUPAPE DE CHARGE EAU CHAUDE	ELEKTROEINGANGVENTIL FÜR WARMES WASSEN
EL2 / Y2	ELETTROVALVOLA RISCIAQUO	RINSE SOLENOID VALVE	ELECTRO SOUPAPE POUR RINCAGE	NACHSPUL ELEKTROEINGANGVENTIL
EL2/A	ECONOMIZATORE DETERSIVO	DETERGENT SAVER	ECONOMITEUR DE DETERGENT	EKONOMISER FÜR DETERGENT
EL3 / Y6	ELETTROVALVOLA CONDENSA	CONDENSER SOLENOID VALVE	ELECTRO SOUPAPE POUR CONDENSEUR	ELEKTROVENTIL FÜR DAMPFWASSER
EL4 / Y4	ELETTROVALVOLA RAFFRED.PRELAV.	PRE-WASHING COOLING S.V.	ELECTRO SOUPAPE REFFROIDISSEMENT PRELAV.	ELEKTROVENTIL FÜR DIEVORSPULENABKÜHLUNG
ST1	SCAMBIATORE DI CALORE	THERMIC EXCHANGE	'ECHANGEUR THERMIQUE	WARMEAUSTAUSCHER
ST2	SCAMBIATORE RECUPERO CONDENSA	CONDENSE EXCHANGE	'ECHANGEUR RECUPERATEUR DE BUEES	DAMPFRÜCKGEWINNUNGAUSTAUCHER
B1	BOILER/BOILER SUPERIORE	BOILER/UPPER BOILER	SURCHAUFFEUR SUPERIEUR	OBERER BOILER
B2	BOILER/BOILER INFERIORE	BOILER/LOWER BOILER	SURCHAUFFEUR INFERIEUR	UNTERER BOILER
B3 - B4	BOILER SUPPLEMENTARE	ADDITIONAL BOILER	BOILER SUPLEMENTAIRE	ZUSÄTZLICHER BOILER
P1	POMPA RICIRCOLO	THERMIC RECYCLE PUMP	THERMIC RECYCLE PUMP	RUCICLAUFpumpe
P2	POMPA AUMENTO PRESSIONE	PRESSURE INCREASE PUMPE	POMPE SURPRESSEUR	DRUCKERHÖHUNGSPUMPE
PL	POMPA LAVAGGIO	WASH PUMP	POMPE DE LAVAGE	WASCHpumpe
PS	POMPA DI SCARICO	DRAIN PUMP	POMPE DE VIDANGE	ABFLUSSpumpe
DDE	DOS.DETERSIVO ELETTRICO	ELECTRIC DETERGENT PUMP	DOSEUR ELECTRIQUE DETERSIF	WASCHMITTEL-DOSIERpumpe
DEB	DOS.BRILLANTANTE	POLISH PUMP	DOSEUR DE PRODUIT DE RINCAGE	KLARSPÜLMITTELDOSIERGERÄT
R1	SERBATOIO BRILLANTANTE	RINSE AID DEVICE	RESERVOIR DE PRODUIT DE RINCAGE	KLARSPÜLMITTELBEHÄLTER
R2	SERBATOIO DETERSIVO	CLEANING PREPARATION TANK	RESERVOIR DE DETERSIF	WASHMITTELBEHÄLTER
V1	SCARICATORE TERMOSTATICO	THERMOSTATIC UNLOADING	DEBARDEUR THERMOSTATIQUE	UBERDRUCKABLEITER
SP1	SERPENTINA VAPORE VASCA	TANK STEAM COIL	SERPENTIN VAPEUR	DAMPFSCHLANGE
M1	MANOMETRO PRESSIONE	PRESSURE GAUGE	MANOMETRE	MANOMETER
C1	COLLETTORE VAPORE	STEAM COLLECTOR	COLLECTEUR VAPEUR	SAMMELROHR
EV1/YV3-4-5-6	ELETTROVALVOLA CARICO VASCA	LOADING VALVE FOR TANK	ELECTRO SOUPAPE DE GHARGE CUVE	ELEKTROVENTIL DAMPFBELASTUNG
EV2/YV1-2-3	ELETTROVALVOLA CARICO BOILER	LOAD VALVE FOR STEAM BOILER	ELECTRO SOUPAPE DE GHARGE SURCHAUFFEUR	ELEKTROVENTIL BOILER
EV3/YV10	ELETTROV. CARICO ASCIUGATURA VAP.	LOAD VALVE FOR STEAM DRYNING	ELECTRO SOUPAPE DE GHARGE SECHANGE	ELEKTROVENTIL ABTROCKNEN
VR1	VALVOLA NON RITORNO VAPORE	NO RETURN STEAM VALVE	SOUPAPE BLOC BUEES	DAMPFRÜCKSCHLAGVENTIL
Y1	ELETTROVALVOLA RIEMPIMENTO VASCA	LOAD SOLENOID VALVE	ÉLECTROVANNE CHARGEMENT CUVE	MAGNETVENTIL FÜR TANKFÜLLUNG
Y2	ELETTROVALVOLA RISCIAQUO	RINSE WATER SOLENOID VALVE	ÉLECTROVANNE RINÇAGE	MAGNETVENTIL FÜR NACHSPÜLUNG
Y4	ELETTROVALVOLA RAFFREDDAMENTO	COOLING SOLENOID VALVE	ÉLECTROVANNE REFFROIDISSEMENT	KÜHLUNGSMAGNETVENTIL
Y5	ELETTROVALVOLA SANITIZZAZIONE	SANITIZER SOLENOID VALVE	ÉLECTROVANNE D'ASSAINISSEMENT	MAGNETVENTIL SANITISATION
Y6	ELETTROVALVOLA CONDENZA VAPORI	STEAM COND. SOLENOID VALVE	ÉLECTROVANNE CONDENSEUR VAPEUR	MAGNETVENTIL DES DAMPFKONDENSATORS
Y7	ELETTROVALVOLA 15°C	WATER 15°C SOLENOID VALVE	ÉLECTROVANNE CHARGEMENT 15°C	15°C MAGNETVENTIL
Y8	ELETTROVALVOLA BREAK TANK	SOLENOID VALVE BREAK TANK	ÉLECTROVANNE BREAK TANK	BREAK TANK MAGNETVENTIL
Y9	ELETTROVALVOLA LAVAGGIO CONDENS.	CONDENSER CLEAN. SOLENOID VALVE	ÉLECTROVANNE NETTOYAGE CONDENSEUR	MAGNETVENTIL KONDENSATORREINIGUNG
YM9/A/B/C	ELETTROVALVOLA SVUOTAMENTO VASCHE 1	TANK EMPTYING SOLENOID VALVE 1	ÉLECTROVANNE VIDANGE CUVE 1	TANKENTLEERUNGS-MAGNETVENTIL 1
YM9/D/E	ELETTROVALVOLA SVUOTAMENTO VASCHE 2	TANK EMPTYING SOLENOID VALVE 2	ÉLECTROVANNE VIDANGE CUVE 2	TANKENTLEERUNGS-MAGNETVENTIL 2
Y10	ELETTROVALVOLA TR99	TR99 SOLENOID VALVE	ÉLECTROVANNE TR99	TR99 MAGNETVENTIL
DB2	PREDISPOSIZIONE DOS. BRILLANTANTE	RINSE AID LIQUID INLET	ARRIVEE' PRODUIT RINCAGE	VORRICHTUNG FÜR DEN GLANZMITTELDOSIERER

A1	ENTRATA VAPORE STEAM ENTRY				
	ENTRY VAPOUR DAMPFEINTRITT	1"1/2 G			
SC1	SCARICO VASCA LAVAGGIO WASHING TANK DRAIN		C	ALLACCIAMENTO ELETTRICO ELECTRICAL-CONNECTION	
	VIDAGE CUVE DE LAVAGE WASCHTANKABFLUSS	1"1/4 G		BRANCHEMENT ELECTRIQUE SCHALTPLAN	
SC2	SCARICO VASCHE PRELAVAGGIO PREWASHING TANK DRAIN		D	SCARICO CONDENZA LC-91 CONDENSER DRAIN LC-91	Ø 12
	VIDAGE CUVE DE PRELAVAGE VORWASCHUNGTANKABLUSS	1"1/4 G		VIDAGE DU CONDENSEUR LC-91 LC-91 DAMPFABFLUSS	
SC3	SCARICO VASCA RISCIAQUO RINSE TANK DRAIN		B1	ENTRATA ACQUA CALDA MAX 55° WATER INLET MAX 55°	3/4"G
	VIDAGE CUVE DE RINCAGE NACHSPULUNGTANKABFLUSS	1"1/4 G		TUYAU DE CHARGEMENT MAX 55° MAXIMALE 55° WARMWASSEREINTRITT	
SC4	SCARICO VAPORE/CONDENZA STEAM/CONDENSATION EXIT		B	ENTRATA ACQUA FREDDA MIN 5° WATER INLET MAX 5°	3/4"G
	SORTIE VAPOUR/CONDENSATION DAMPFABFLUSS	3/4"G		TUYAU DE CHARGEMENT MAX 5° MINIMALE 5° KALTWASSEREINTRITT	
D1	SCARICO CONDENZA LC-91(MOD.1300+AX151+BX230) CONDENSER DRAIN LC-91(MOD.1300+AX151+BX230)		SC	SCARICO VASCHE CENTRALIZZATO CENTRALIZED TANK DRAIN	Ø 40
	VIDAGE DU CONDENSEUR LC-91(MOD.1300+AX151+BX230) LC-91 DAMPFABFLUSS(MOD.1300+AX151+BX230)	3/4"G		VIDAGE CENTRALISE CUVE	