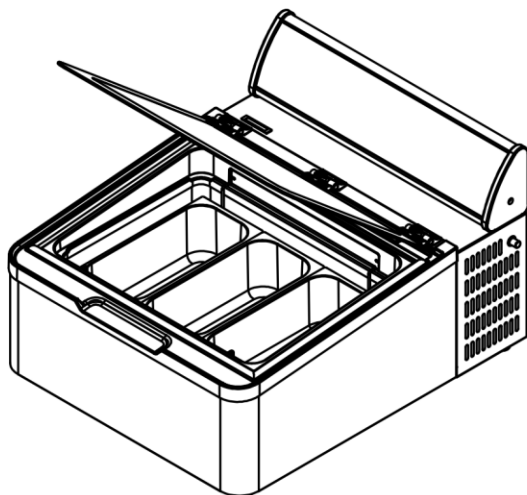
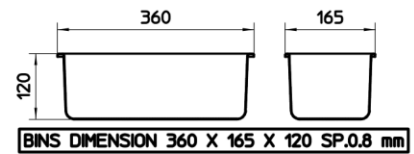
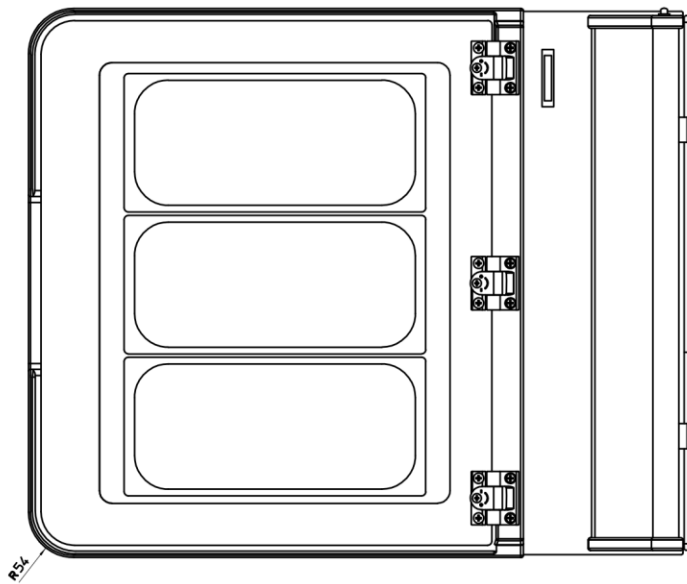
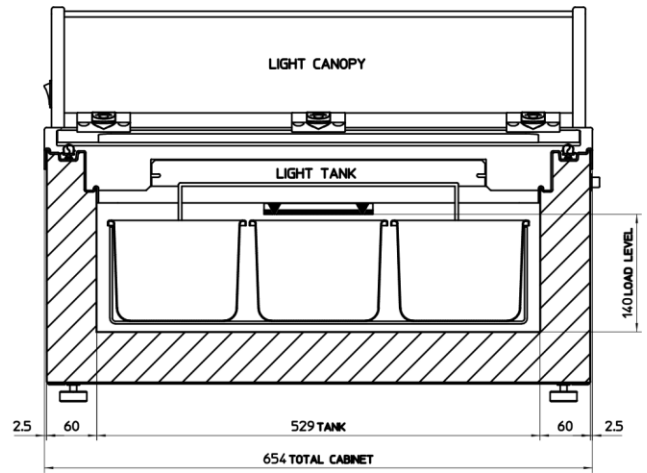
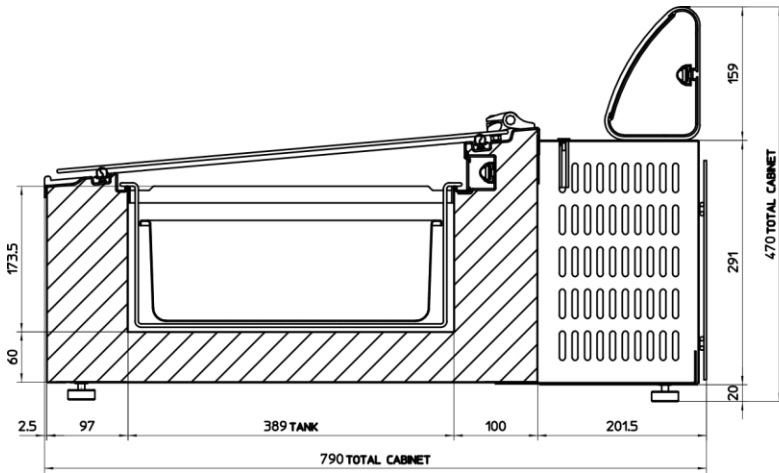


MINI CREAM 3V LED LUXE R600 (COD. BC065600)



display

Layout



MINI CREAM 3V LED LUXE

S_46280 - 00

Updated on
02/10/2018

MINI CREAM 3V LED LUXE R600 (COD. BC065600)

display

Technical data

Temperature	-10°C -22°C
Voltage and Frequency	230 V~ 50 Hz
Gas	R600a
Net dimension	654 x 790 x 470 mm (l x p x h)
Packed dimension	754 x 890 x 500 mm (l x p x h)
Gross capacity	35 l
Net capacity	29 l
Gross weight	40.00 Kg
Net weight	35.00 Kg
Heat insulation	Rigid polyurethane foam "HCFC/CFC/HFC" free
External cabinet	White prepainted steel sheet
Cabinet bottom	Galvanized steel sheet
Inner tank	Stainless steel - AISI 304 BA
Light tank	Internal light LED
Frame	White thermoformed plastic
Top	Low emissivity glass
Light box - colour	anodized aluminium
Light box opaline	Plastic - white back lighted opale with LED
Back grid - colour	White plasticised steel rod
Condensator	Wire and tube - maintenance free with powered fan
Evaporator	Static evaporator wrapping the tank
Defrosting	Manual
Climatic class	4 (30°C-55%RH) L1
Plug	European - Angular Plug
Thermometer	Mechanical
Thermostat	Mechanical
Standard equipment	Basket for stainless steel bins 5-2,5 lt
Optional	Stainless steel bins
Brand	MONDIAL ELITE
Producer brand	MONDIAL GROUP