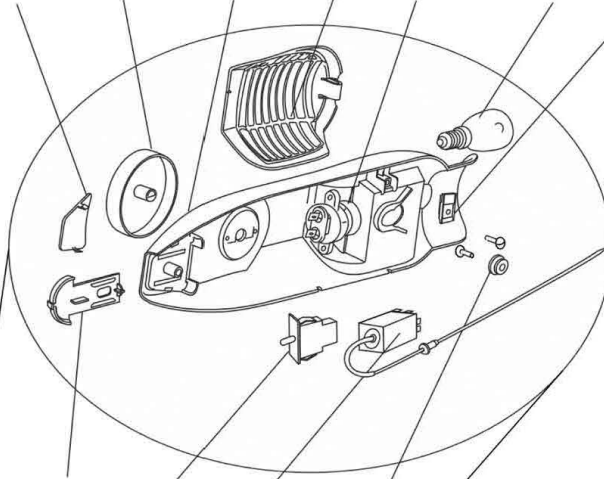
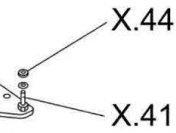
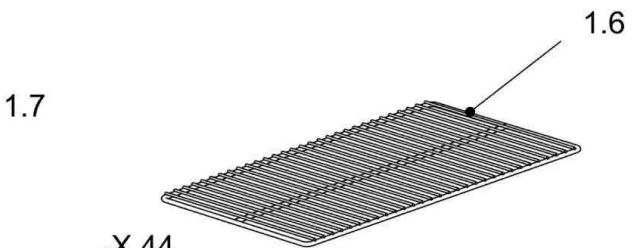
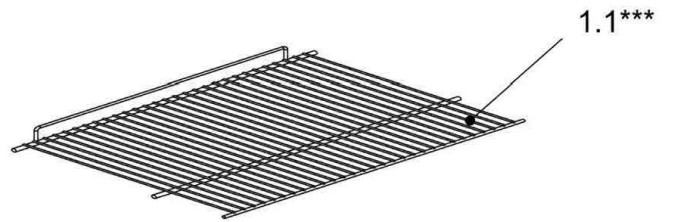
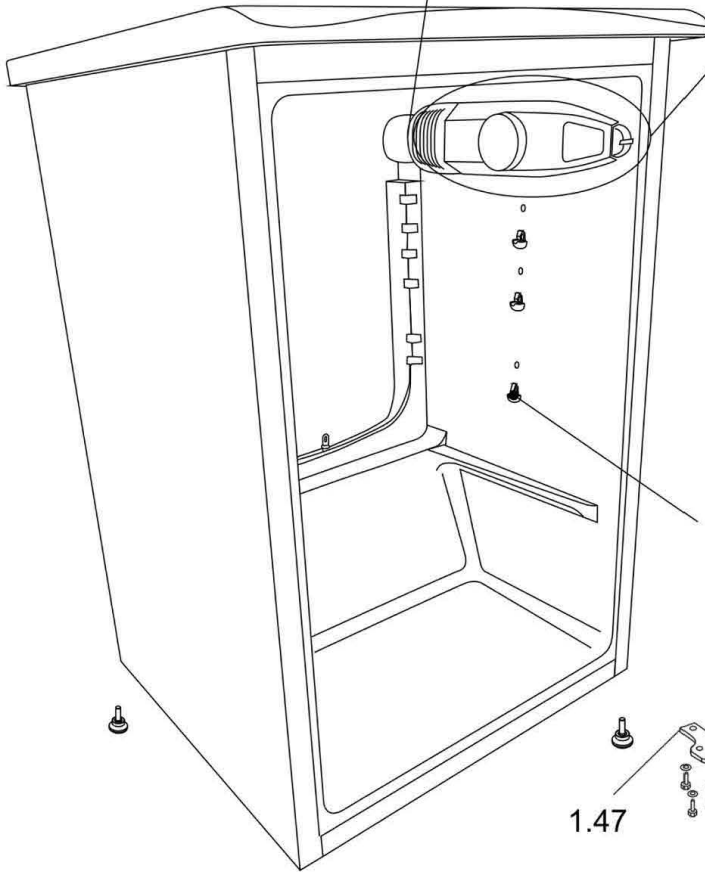


1.103 1.102 1.100 1.35 1.98 1.104 1.81



1.97 3.5 X.75 1.101



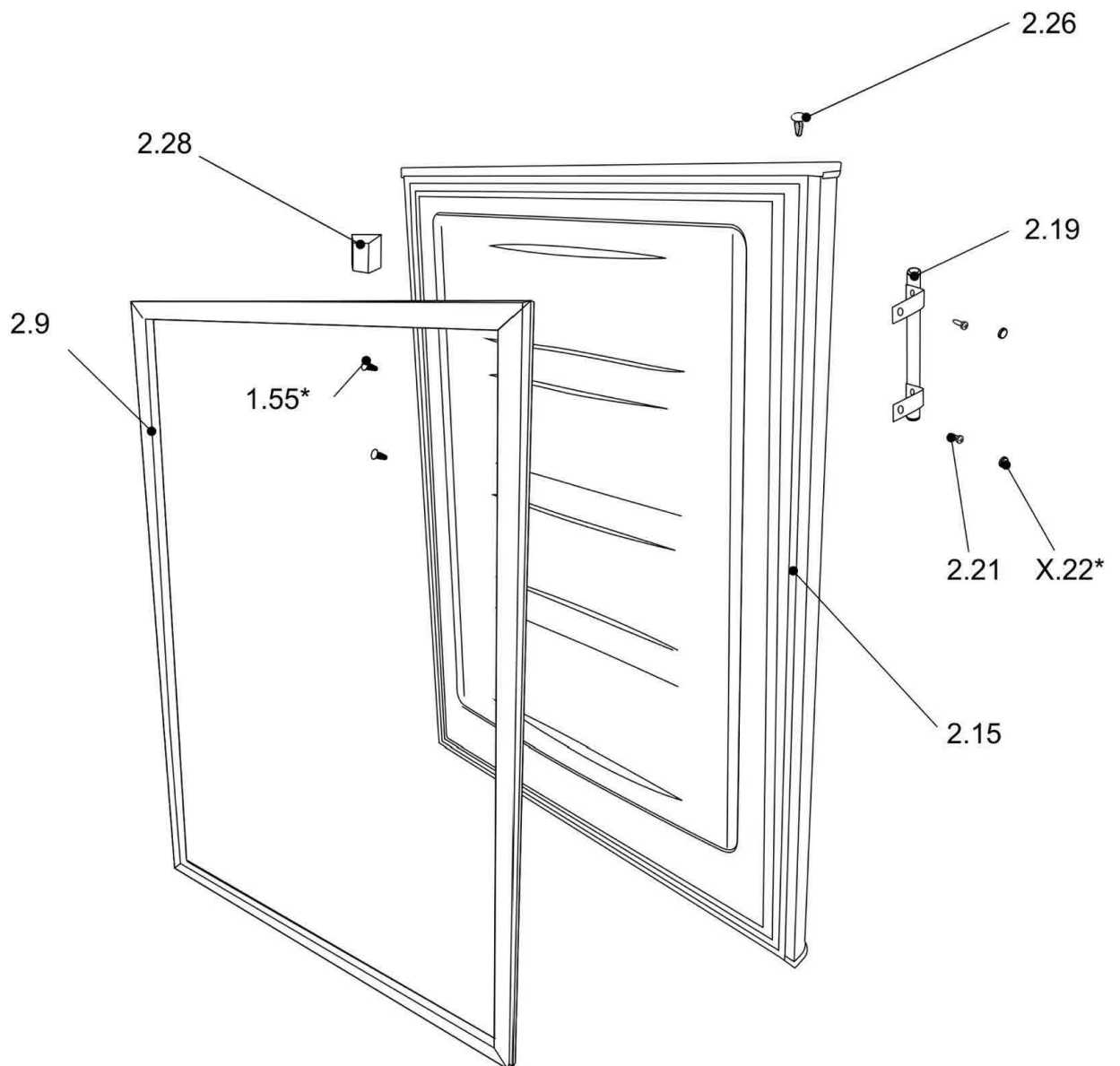
1.47

1.49

*If applicable

**Alternative

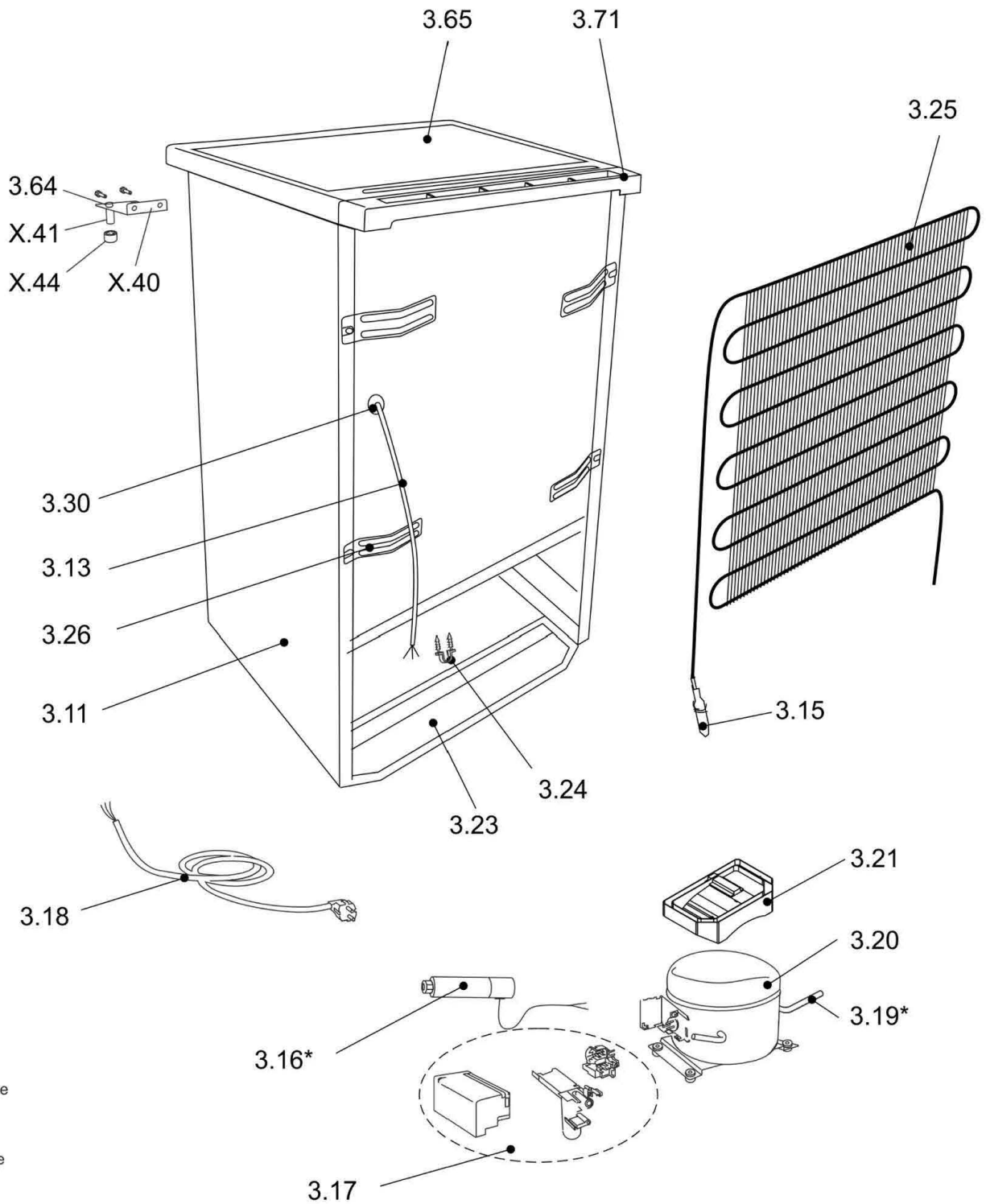
***Amount varies



*If applicable

**Alternative

***Amount varies



*If applicable

**Alternative

***Amount varies

